

THREADED BALL VALVE

TECHNICAL PASSPORT

**3 PIECES BALL VALVE
WITH ISO MOUNTING PLATE
STEEL BODY - PN63
FULL BORE**

BS 5379I-BSP

APPLICATION

Area of use: Chemical and pharmaceutical industries, petrochemical industries, hydraulic installation,



Fluids: air, water vapor.



GENERAL CHARACTERISTICS

Range: from DN1/2" to DN4".

- Full bore
- Anti blow-out stem
- Special gland pack with elastic washer
- Antistatic device from DN1/2 to DN1"1/4, double antistatic device (ball between body-stem and ball-stem) from DN1"1/2 to DN4"
- PTFE filled with stainless steel seat
- Locking device
- Blue handle cover possible
- ISO 5211 top mounting plate

STANDARDS

Design	Designing according to ASME B16.34. Complies with the requirements of European Directive n° 2014/68/UE «Equipment under pressure» : modulate H. Complies with European ATEX Directive «ATmosphère EXplosive» n° 2014/34/UE.
Connection	BSP according to ISO 228-1
Tests	Pressure test according to standards EN12266-1, DIN 3230, BS 5154 and ISO 5208. - Body : PS x 1.5 (bar) - Seat : PS x 1.1 (bar)

PRODUCT APPROVALS

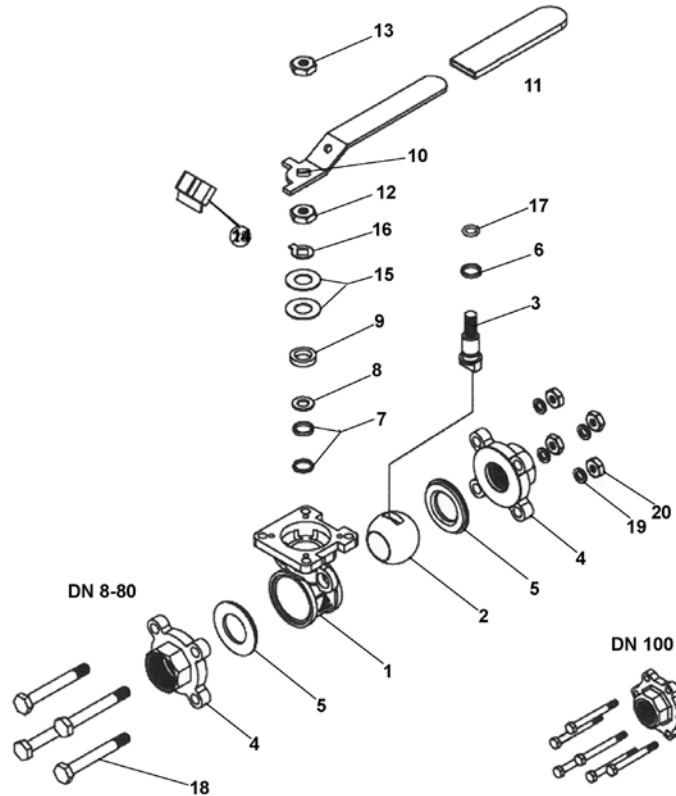


THREADED BALL VALVE

TECHNICAL PASSPORT

BS 5379I-BSP

CONSTRUCTION



Pos.	Description	Material
1	Body	Steel EN 1.0619
2	Ball	Stainless steel ASTM A351 CF8M
3	Stem	Stainless steel AISI 316
4	Ends	Steel EN 1.0619
5	Seat	PTFE with 50% Stainless steel AISI 316
6	Thrust washer	PTFE with 25% Grafoil
7	Stem packing	PTFE with 25% Grafoil
8	Packing follower	PTFE with 15% Grafoil
9	Gland bush	Stainless steel AISI 304
10	Handle	Stainless steel AISI 304
11	Handle cover	Plastic
12	Packing nut	Stainless steel AISI 304
13	Handle nut	Stainless steel AISI 304
14	Locking device	Stainless steel AISI 304
15	Elastic washer	Stainless steel AISI 301
16	Tab washer	Stainless steel AISI 304
17	O-ring	FKM
18	Body bolt	Stainless steel AISI 304
19	Bolt washer	Stainless steel AISI 304
20	Bolt nut	Stainless steel AISI 304

Tecofi France

83 rue Marcel Mérieux - 69960 Corbas
 Tél. +33 (0)4 72 79 05 79 - Fax. +33 (0)4 78 90 19 19
 E-mail : sales@tecofi.fr - www.tecofi.fr

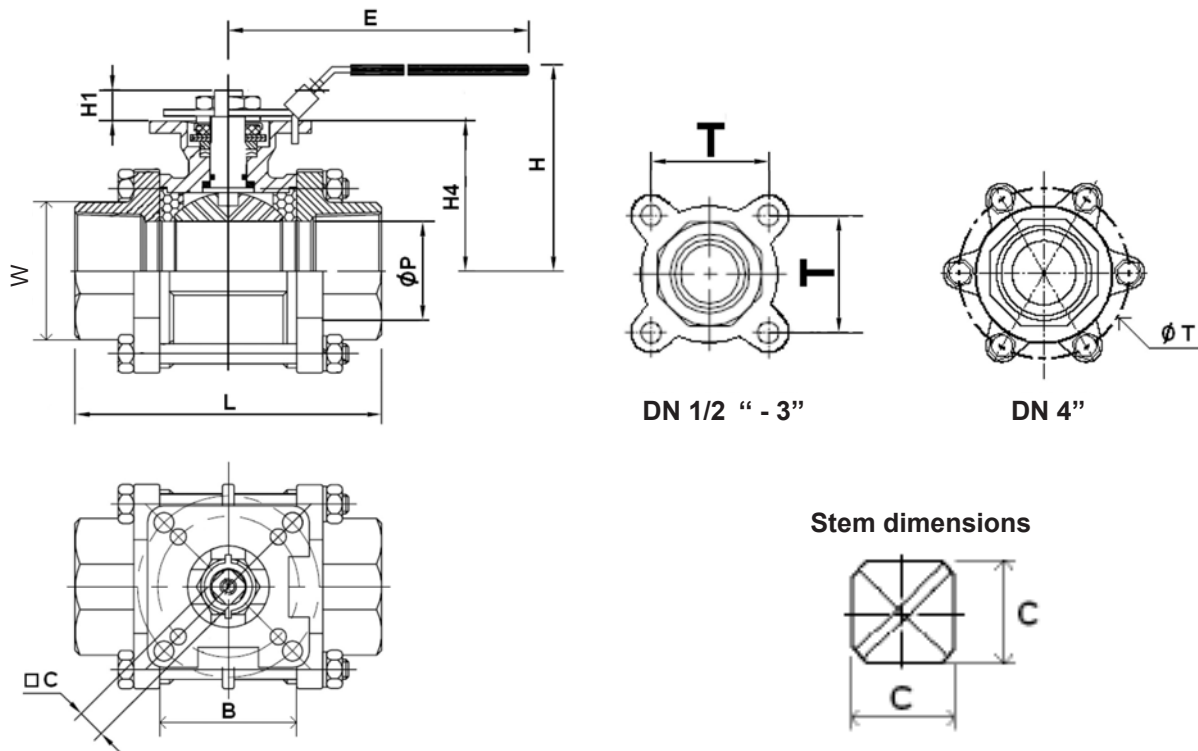


THREADED BALL VALVE

TECHNICAL PASSPORT

BS 5379I-BSP

DIMENSIONS



DN		Ø D	L	B	E	H	H1	H4	C	T	w	Weight (kg)
mm	inch											
15	1/2"	15	63.5	22.5	112	73	8.5	37	9	31	28	0.58
20	3/4"	20	72.5	27.5	112	80.8	8.5	45	9	35	34	0.75
25	1"	25	81	34	136	90.5	9.5	53.5	9	41	42	1.03
32	1 1/4"	32	94.5	42.5	185	98.7	9.5	59	9	49	50	1.62
40	1 1/2"	38	108	52	197.9	115.3	14	74.8	14	59	58	2.5
50	2"	50	121.5	63.5	197.9	124	13.7	83.5	14	71	70	3.7
65	2 1/2"	65	157.5	85.5	267	155	18	108.8	17	91	88	7.8
80	3"	80	190	102	267	164.5	18	118.3	17	107	103	11.3
100	4"	100	225	128.5	322	216.7	18	153.8	17	195	128	22

Tecofi France

83 rue Marcel Mérieux - 69960 Corbas
 Tél. +33 (0)4 72 79 05 79 - Fax. +33 (0)4 78 90 19 19
 E-mail : sales@tecofi.fr - www.tecofi.fr

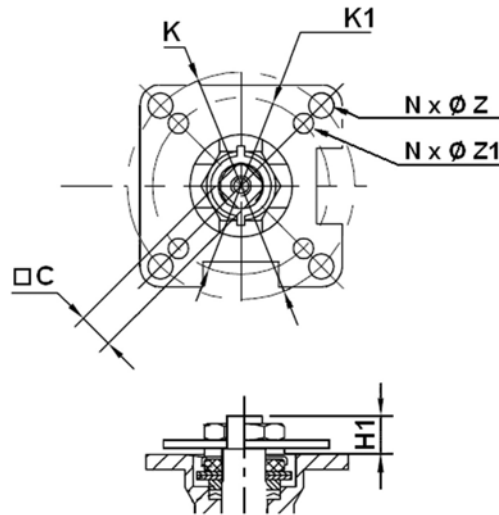


THREADED BALL VALVE

TECHNICAL PASSPORT

BS 5379I-BSP

DIMENSIONS



DN		C	H1	Ø K	ISO	N X Ø Z	Ø K1	ISO 1	N X Ø Z1	Tie rod tightening torque (Nm)	Operating torque* (Nm)	Kv (m³/h)
mm	inch											
15	1/2"	9	8.5	50	F05	4 X 7	36	F03	4 X 6	7.6	6.9	31.3
20	3/4"	9	8.5	50	F05	4 X 7	36	F03	4 X 6	14.5	9.8	57.9
25	1"	9	9.5	50	F05	4 X 7	36	F03	4 X 6	21	9.8	94.3
32	1 1/4"	9	9.5	50	F05	4 X 7	36	F03	4 X 6	25	11.8	157.9
40	1 1/2"	14	14	70	F07	4 X 9	50	F05	4 X 7	35	15.7	227.9
50	2"	14	13.7	70	F07	4 X 9	50	F05	4 X 7	60	20.6	414.8
65	2 1/2"	17	18	102	F10	4 X 11	70	F07	4 X 9	80	54.9	720.2
80	3"	17	18	102	F10	4 X 11	70	F07	4 X 9	88	73.5	1091
100	4"	17	18	102	F10	4 X 11	70	F07	4 X 9	190	94.1	1754

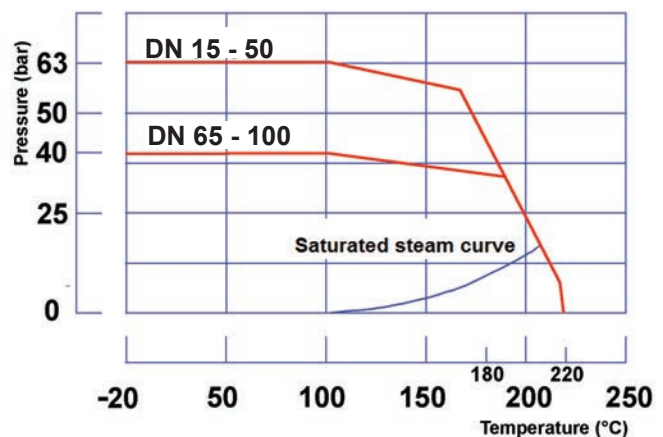
* -The operating torque values are given without safety factor.

WORKING CONDITIONS

Maximum working pressure : 1/2" - 2" : 63 bar
2 1/2" - 4" : 40 bar

For steam : 18 bar maximum

Maximum working temperature : -20°C / +220°C.



Tecofi France

83 rue Marcel Mérioux - 69960 Corbas
Tél. +33 (0)4 72 79 05 79 - Fax. +33 (0)4 78 90 19 19
E-mail : sales@tecofi.fr - www.tecofi.fr

